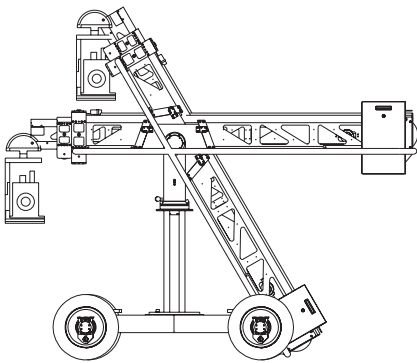


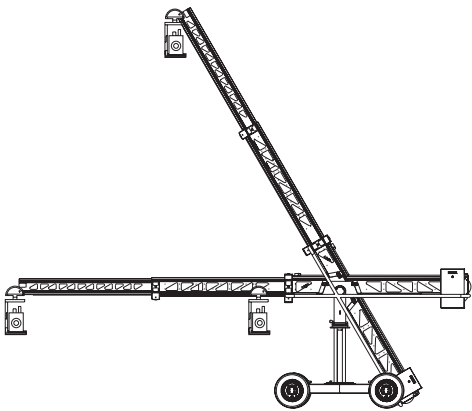


Techno 15' : Telescopic crane 15'



The **Techno 15'** is the smallest and the most portable of the range of Supertechno crane, it :

- offers a telescopic range of : 10'3"
 - has its own 2 axis camera head (Z head) or 3 axis (option) whose modular built design accomodates most video or film cameras.
 - accepts, as an option, other remote heads (SCORPIO, LIBRA)
 - has a control desk with handwheel or joystick, can also be controlled by a PAN BAR system (optionnal)
 - has a telescopic column which adapts the height of the arm to the size of the various sets.
 - has its own dolly which can be used on pneumatics or rails and which can go through standard doors (80 cm)
 - can also be used with the variable gauge dolly "HORNET" equipped of a telescopic column and combined pneumatics and trackwheels.
 - can be used on 88 cm gauge tracks (or both 62 cm and 88 cm gauge tracks with HORNET dolly)
 - is delivered assembled (except for the remote head) in its customized truck equipped with a tail lift.
 - can be dismantled in sub-elements easily carriable.
- Weight of the heaviest element : 130 kg (286lbs). This crane is ideal for location work
- is rented complete with all accessories (remote head, Preston focus iris zoom motors, intercom system, lens scale camera, 4 monitors, etc...)



SPECIFICATIONS

ARM

• maximum length (front from fulcrum) :	13'8"
• minimum length (front from fulcrum) :	3'5"
• back length of the arm :	5'6"
• telescopic range :	10'3"
• maximum rise and fall (on rostrum) :	24'3"
• maximum telescope speed :	2'6" per second
• minimum telescope speed :	3,3' per hour
• maximum optical axis height	15'2"
• weight of the arm (carriable by 4 persons)	286 lbs

Z HEAD 2 AXIS / WHEELS, PANBAR, OR JOYSTICK CONTROL

• minimum overall dimensions :	2'11"x1'3" (2 axis)
• maximum camera load :	35kg/77lbs (2 axis) 30kg/66lbs (3 axis)

DOLLY

Used on wheels : for moving and positioning the crane and to go on & off tracks.

• length (Techno 15 dolly) :	3'8"
• width (Techno 15 dolly) :	2'7"
• length (HORNET dolly) :	4'
• largeur (HORNET dolly) :	3'10" (max bulk) 2'7" (min bulk)
• minimum height of pivot point :	4'8"
• maximum height of pivot point (Techno 15 dolly) :	6'4"
• maximum height of pivot point (HORNET dolly)	8'1"
• minimum overall height :	
(ground to top of 1st section of arm)	5'7"
• maximum overall height :	
(ground to top of 1st section of arm)	7'3"
• track gauge (Techno 15 dolly) :	88 cm (2'11")
• track gauge (HORNET dolly) :	62 cm or 88 cm
• crane total weight in 3 axis mode with 20 kg (44lbs) camera :	578 kg/1270lbs
• power supply :	220-240v AC 50HZ/16Amp
• set up time :	1 1/2 hour

Specifications subject to changes without notice.



[loumasystems]

61 rue du Landy, 93300 Aubervilliers - France
Tel: +33 (0)1 48 13 25 60
Fax: +33 (0)1 48 13 25 61
email: contact@loumasystems.biz
www.loumasystems.biz